

THE ORIGINAL

CLIMATE



Technical Overview



Add-on Sensors - *Smoke Alarm*

01491 410913



Get yours direct at:

www.theclimate.co.uk

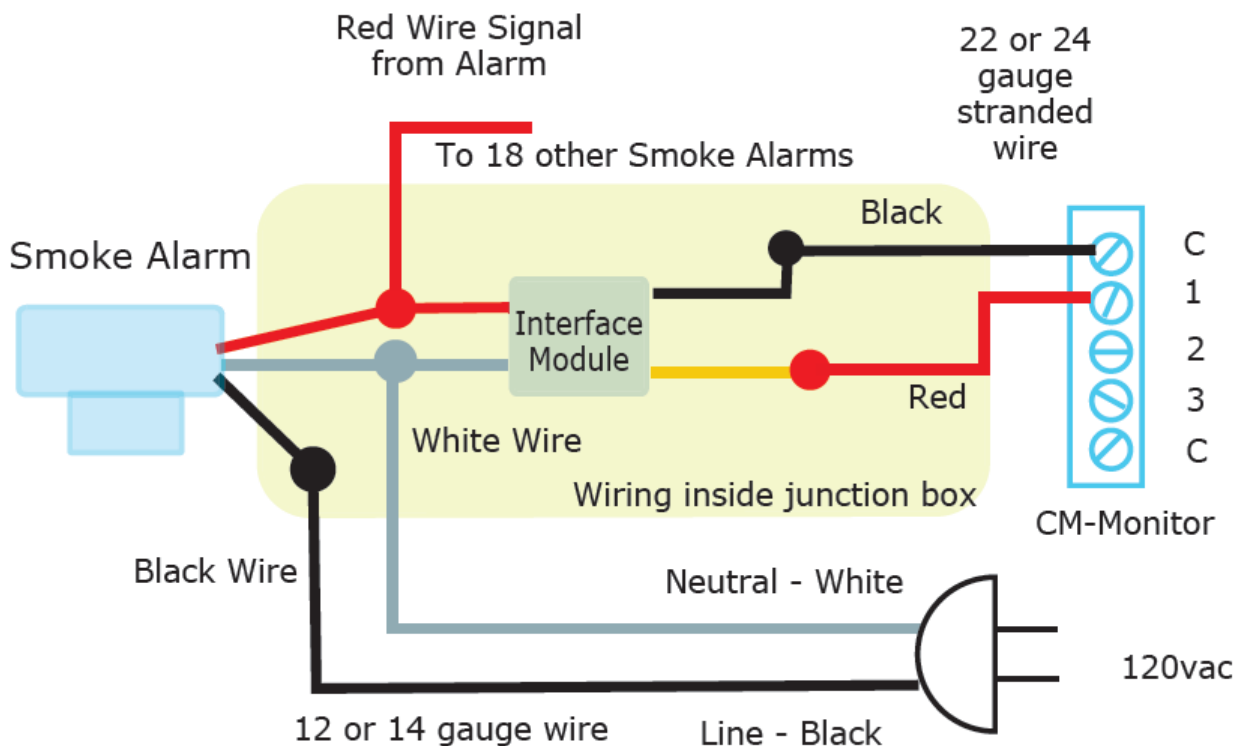
OVERVIEW

This kit contains a standard smoke alarm and relay pattress. The Kidde Smoke Alarm supplied is powered by 120v AC mains power and contains a 9v DC battery for backup in the case of power failure. The relay unit provides an interface between the smoke alarm and the Climate Monitor.

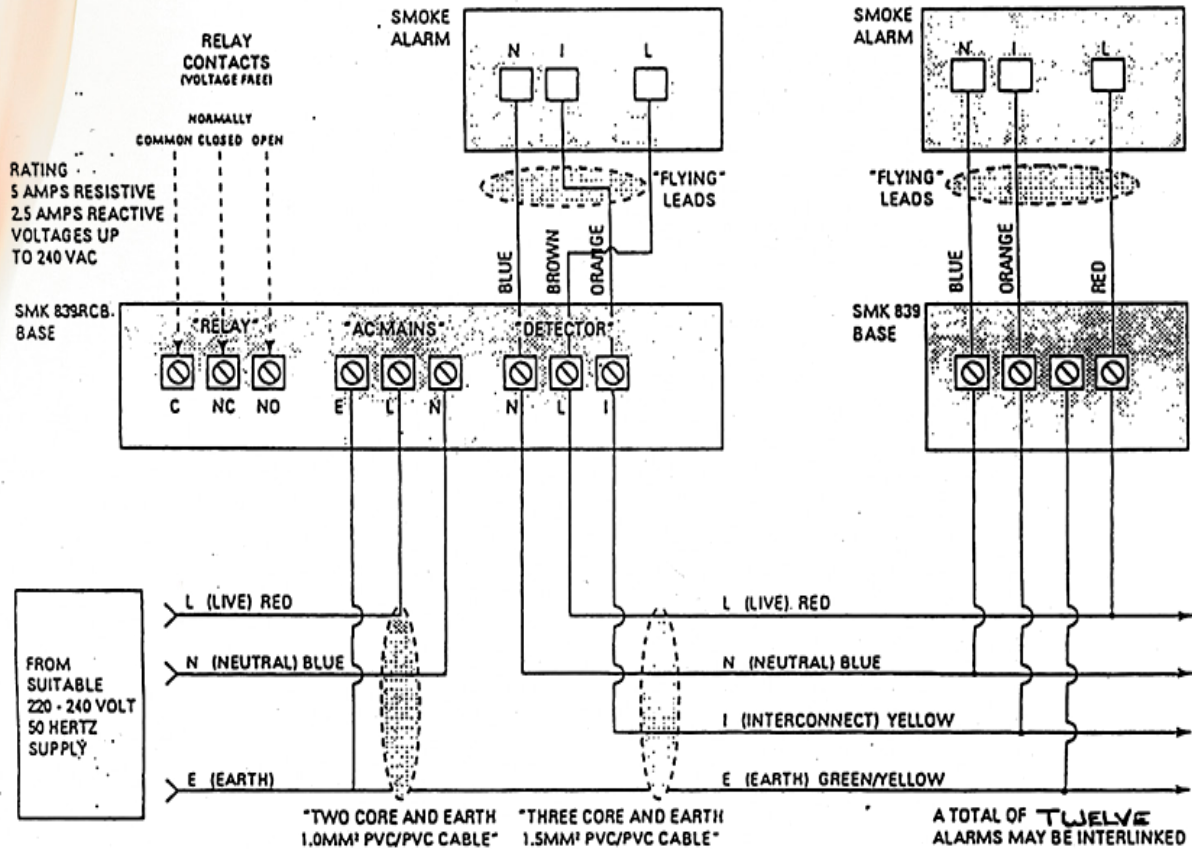
The smoke alarm has a third wire that triggers a relay when smoke is detected. Two core cable is required to connect the Climate Monitor to the pattress. Please note that the pattress is designed as an accessory; it will not operate unless used correctly with the smoke alarm.

Test the installation by pressing the alarm's Test button.

INSTALLATION



WIRING SCHEMATIC FOR THE BASE RELAY UNIT




SPECIFICATIONS

Buttons:	Test, Reset, Hush function
Alarm:	Buzzer, 85db
Red Indicator:	flashes for normal condition
Power:	120vac, 80ma.
Low battery:	Chirp sound
Interconnection:	Third wire to other alarms
Connection:	Direct to C123C ports
Temp Range:	40F to 100F
Humidity Range:	Up to 85% RH
Sensor:	Ionization

 **INSTALLATION PROCEDURE**

1. Before commencing installation ensure that the relay and alarm are suitable for the purpose intended (ie the relay specification meets the intended use and the alarm is suitable for the application).
2. Carefully choose the siting of the alarm (see Smoke Alarm User Manual)
3. Place the relay pattress in the intended location, taking care on siting with respect to power supplies. Using a suitable tool, mark the position of the two fixing holes (The surface has two pre-drilled holes for this purpose.)
4. Mark the rear entry point on the ceiling. (Surface cabling may be used but we advise that suitable trunking must be used, and care is required cutting the access holes to the pattress.)
5. Drill the fixing holes at this stage.
6. Having taken adequate precautions for personal safety and that of others, and that the electricity supply is connected or turned off, connect the intended suitable mains supply input to the mains in terminals marked "L" "N" on the circuit board "L" is Live, "N" is Neutral). The terminal marked "E" is the earth and must be used for the supply earthing cable.
7. The flying lead cable for the alarm must be connected to the terminals marked "N", "L" and "I" - "L" is live (Brown), "N" is Neutral (Blue), "I" is Interconnect (Orange).
8. Connect the monitoring circuit wiring into terminals marked "COM" and "NO" or "NC" points.
9. Check wiring now for accuracy, and amend any errors.
10. Ensure all wiring is neatly in the pattress and align alarm mounting bracket onto the pattress. The mounting bracket must be aligned with the smaller of the two cut out holes over the relay, and the flying lead with the connector must exit the pattress to the rear of the smoke alarm using the largest cut out hole in the mounting bracket.
11. Fix the alarm on the pattress. The white foam gasket must be fitted.
12. Reconnect, turn on the electricity supply. The alarm will operate as per the User Manual. Test the alarm using the test button. This will cause the unit to enter the alarm state and the relay will operate.
13. If the alarm falls to operate, this may be due to a wiring error. Re-test and check the wiring.

 **WARNINGS**

- The relay pattress is designed as an accessory. It will not detect fire or smoke and will not operate unless used correctly with the stated smoke alarm models.
- To be installed by a suitable qualified electrician.
- The relay will only operate/switch under Mains power.
- Do not site the relay pattress remotely from the smoke alarms or in areas deemed unsafe or unsuitable for the smoke alarm
- Comply with IEE Wiring Regulations latest edition, and safety codes for the area of installation.
- Rating of relay is suitable for mains voltages: 5amps for resistive loads, 2.5 amps for reactive. Ensure the smoke alarm supply is protected by a 5amp fuse or 6amp MCB.
- Effective fire detection and control is entirely the responsibility of the end user swiftbase does not accept any liability for this or the use of these products.

 **CLIMATE SALES**

Climate monitor products and supporting components are available directly via our website or you can contact us using the details below.

THE ORIGINAL
CLIMATE 

The Original Climate
Badger Banks
Harpsden
Henley-on-Thames
Oxfordshire
RG9 4HL

tel: 01491 410913
web: www.theclimate.co.uk